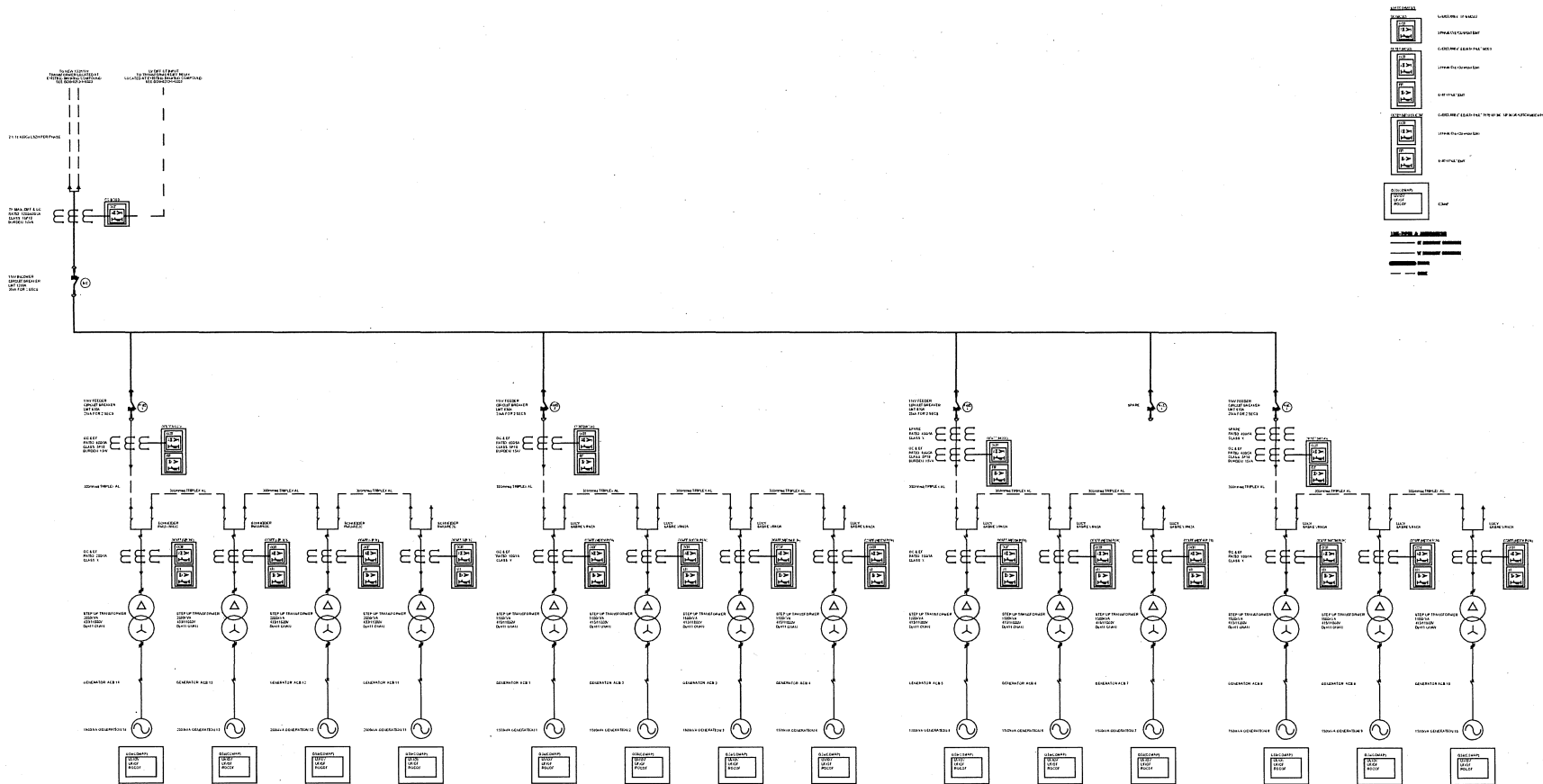


SLD - Drawing not to scale,  
For information purposes only.  
Not for construction.

Notes:  
This is a revised version of GDS drawing:  
GDS-0212-2-S001  
The order of generators 11-14 have been  
reversed, and the output of generator 14 has  
been corrected from 2000kwp to 1900kwp

Issue Log:  
Issue: 01 Revision Details: Initial Issue Date: 13/07/2017



# SKYFALL ENERGY

Skyfall Energy Ltd  
Thorncombe Barn  
Fore Street  
Thorncombe  
Dorset TA20 4PP  
Phone: [REDACTED]

www.skyfall-energy.com

Project Name:  
SIMEC Uskmouth  
Power Station (SUP)

Document Name:  
Single Line Diagram  
As Built

Document Reference #:  
102-04-07

Scale: NTS@A3 Issue: 01

Produced: RC Checked: ## Date: 13/07/2017