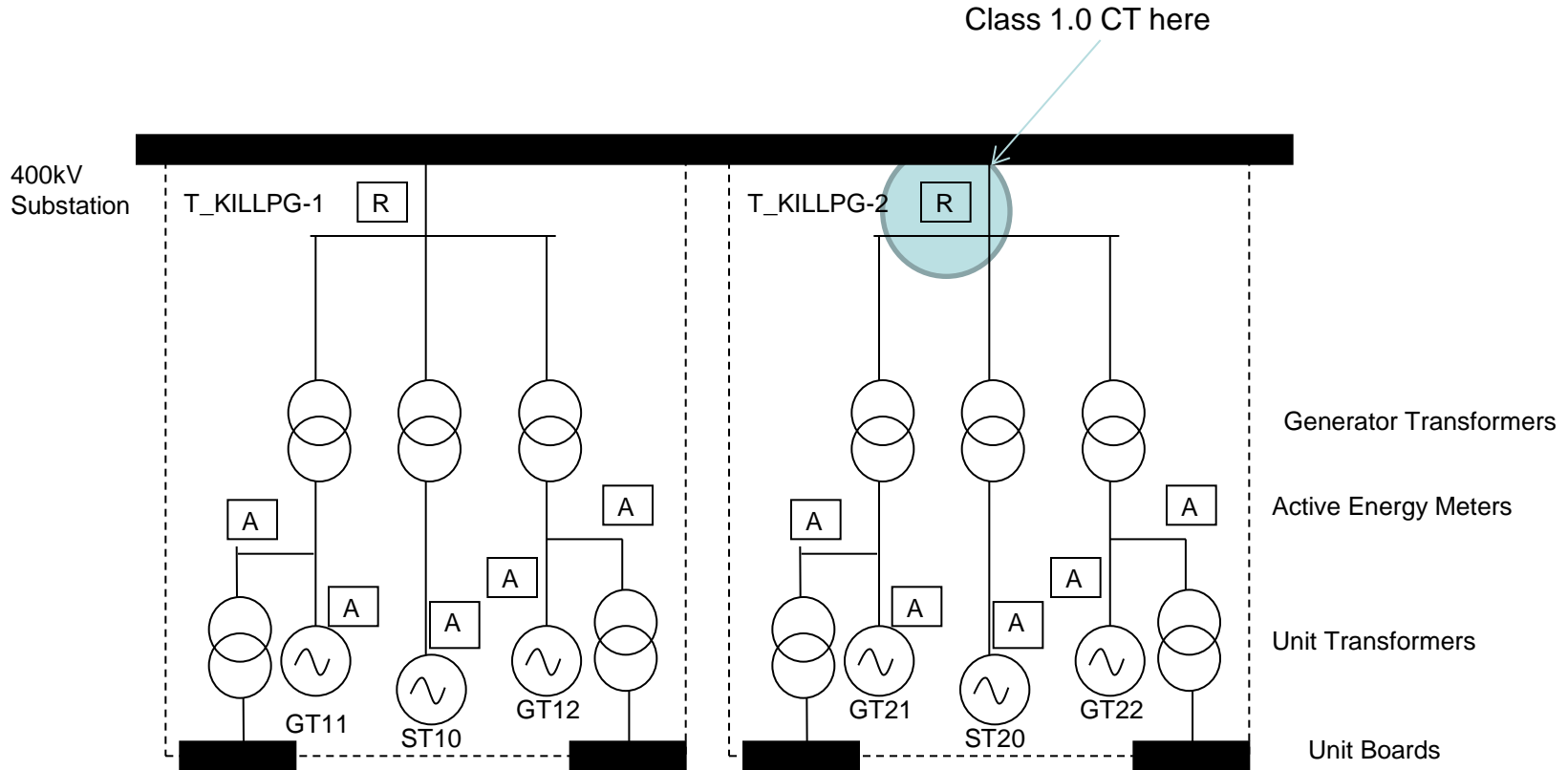


KILH Single Line Diagram



[A]

Active Metering only – Compensated for VT & CT Errors and Transformer losses

[R]

Reactive Metering only - Uncompensated